



QUICK-FIT



THE WORLD'S FASTEST DUCTING

BRANCHES

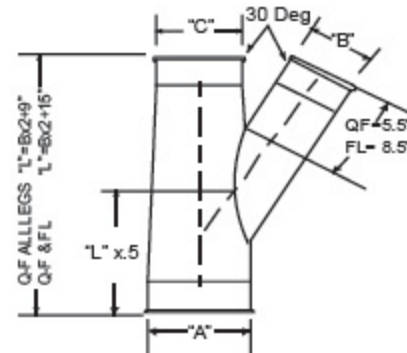
BRANCH

Ø	PART NO.	ENDS	GAUGE		WEIGHT (GALV)
			GAL.	SS	
3"	3220-03XX	QF	22	22	2.32
4"	3220-04XX	QF	22	22	3.00
5"	3220-05XX	QF	22	22	3.75
6"	3220-06XX	QF	22	22	4.25
7"	3220-07XX	QF	22	22	5.00
8"	3220-08XX	QF	22	22	6.00
9"	3220-09XX	QF	22	22	7.25
10"	3220-10XX	QF	22	22	8.50
11"	3220-11XX	QF	22	22	9.25
12"	3220-12XX	QF	22	22	10.75
13"	3220-13XX	QF	20	20	11.40
14"	3220-14XX	QF	20	20	13.50
15"	3220-15XX	QF	20	20	15.60
16"	3220-16XX	QF	20	20	17.56
17"	3220-17XX	QF	20	20	19.00
18"	3220-18XX	QF	20	20	21.00
20"	3220-20XX	QF	20	20	30.00
22"	3220-22XX	QF	20	20	39.50
24"	3220-24XX	QF	20	20	53.50
26"	3220-26XX	FLANGE	18	18	74.00
28"	3220-28XX	FLANGE	18	18	98.00
30"	3220-30XX	FLANGE	18	18	117.05
32"	3220-32XX	FLANGE	18	18	125.94
34"	3220-34XX	FLANGE	18	18	134.83
36"	3220-36XX	FLANGE	18	18	142.78
38"	3220-38XX	FLANGE	18	18	153.47
40"	3220-40XX	FLANGE	18	18	162.81

Branch



- All branches priced by large end.
- Standard 30° Optional 45°.
- When ordering specify A, B, C.
- $A - B \geq B - C$
- Use formula above to determine if a reducer is needed at "C".



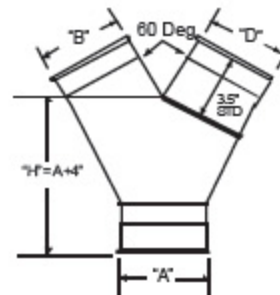
Y BRANCH

Ø	PART NO.	ENDS	GAUGE		WEIGHT (GALV)
			GAL.	SS	
3"	3221-03XX	QF	22	22	1.50
4"	3221-04XX	QF	22	22	1.75
5"	3221-05XX	QF	22	22	2.00
6"	3221-06XX	QF	22	22	2.75
7"	3221-07XX	QF	22	22	3.25
8"	3221-08XX	QF	22	22	4.50
9"	3221-09XX	QF	22	22	5.25
10"	3221-10XX	QF	22	22	6.75
11"	3221-11XX	QF	22	22	8.00
12"	3221-12XX	QF	22	22	10.25
13"	3221-13XX	QF	20	20	12.50
14"	3221-14XX	QF	20	20	14.00
15"	3221-15XX	QF	20	20	15.75
16"	3221-16XX	QF	20	20	17.00
17"	3221-17XX	QF	20	20	18.50
18"	3221-18XX	QF	20	20	20.00
20"	3221-20XX	QF	20	20	24.50
22"	3221-22XX	QF	20	20	29.00
24"	3221-24XX	QF	20	20	36.00
26"	3221-26XX	FLANGE	18	18	69.00
28"	3221-28XX	FLANGE	18	18	93.00
30"	3221-30XX	FLANGE	18	18	112.05
32"	3221-32XX	FLANGE	18	18	120.94
34"	3221-34XX	FLANGE	18	18	129.83
36"	3221-36XX	FLANGE	18	18	137.78
38"	3221-38XX	FLANGE	18	18	148.47
40"	3221-40XX	FLANGE	18	18	157.81

Y Branch



- All branches priced by large end.
- Standard 60° Optional 90°.
- When ordering specify A, B, D.
- $B + D \geq A$
- Flange Leg: Length = 4.5"
Height = $A + 4"$



If A-B or D desired in flange add price of flange and denote by FL after dimension for which flange is needed.

ORDERING NOTES:

Unless specified, 3" through 24" is QF, over 24" is flanged. Data is subject to change without notice. Stainless steel components requiring flanges will be supplied with SS flanges unless otherwise specified. Stainless steel components are manufactured with NO.304 SS. [Prices for SS 316 = SS 304 X 1.25] Adding a SS after standard part numbers specifies a SS part. For special parts or items to be custom manufactured call for quotation.

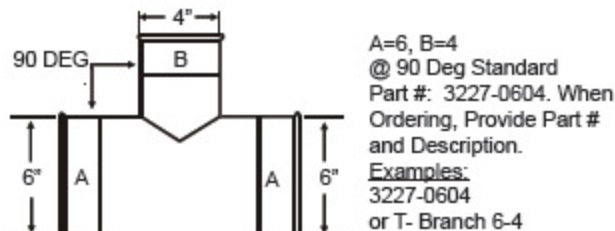
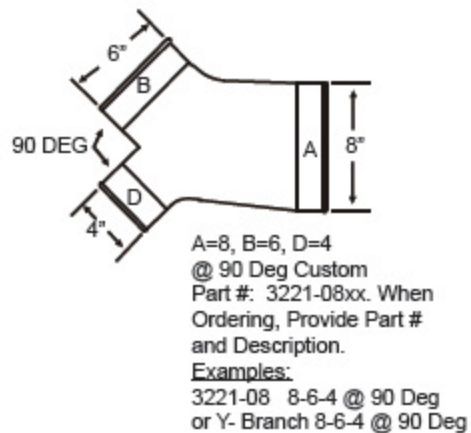
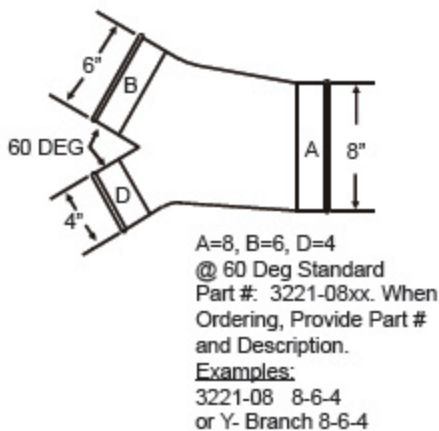
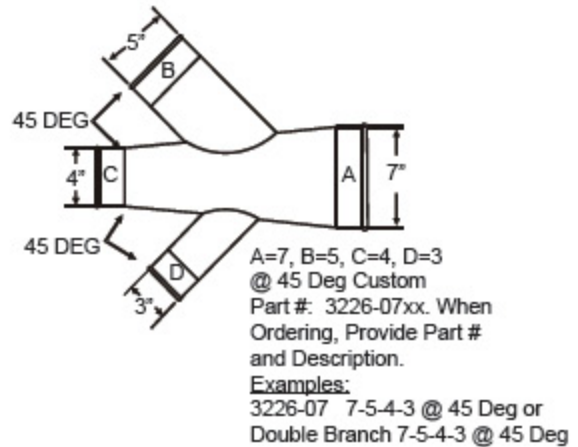
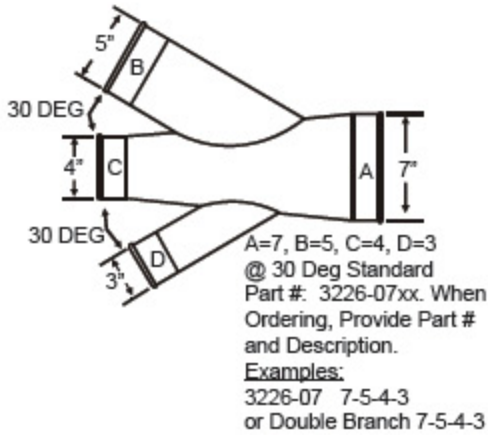
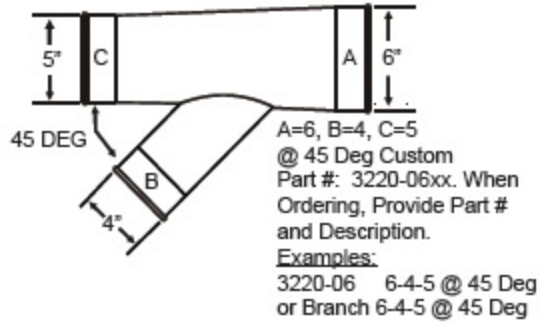
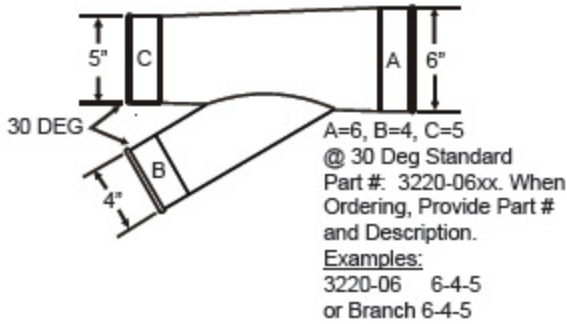
WWW.DUCTMONKEY.NET • 951-739-9593



QUICK-FIT

THE WORLD'S FASTEST DUCTING

BRANCH STYLES

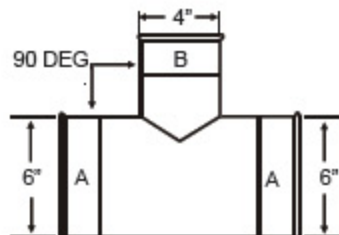
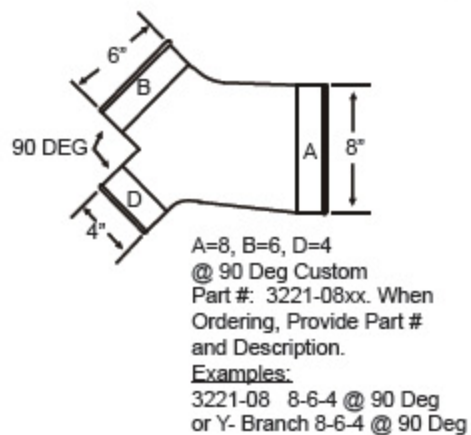
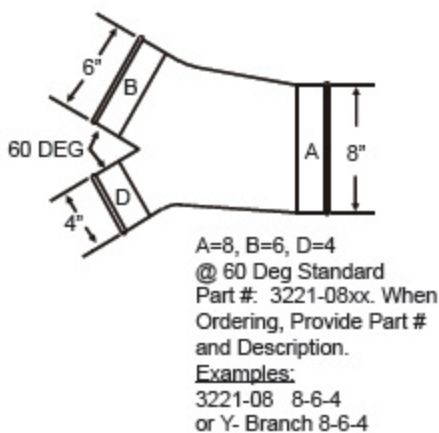
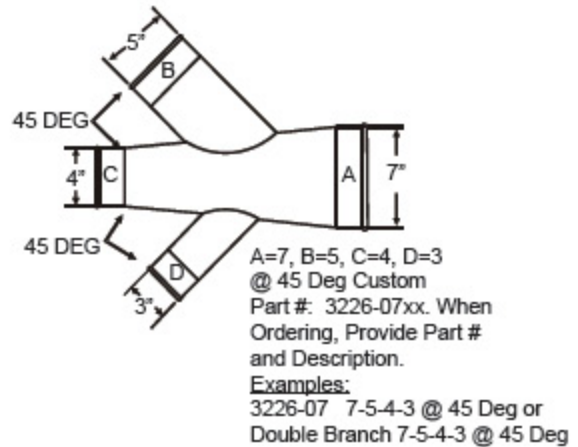
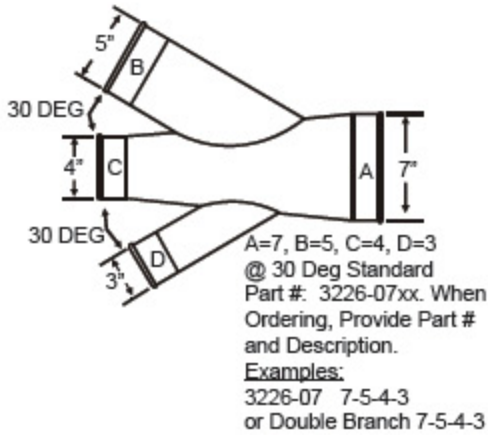
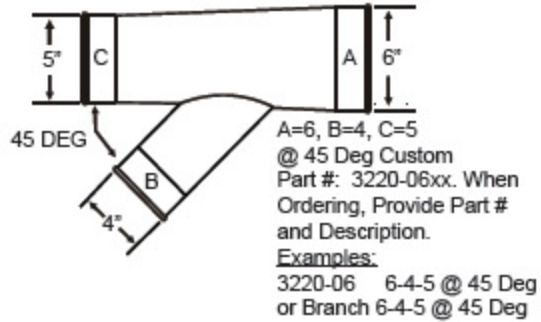
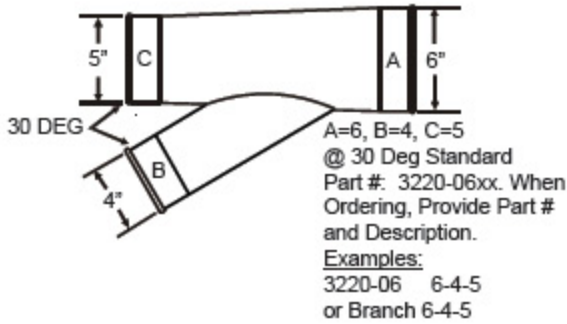




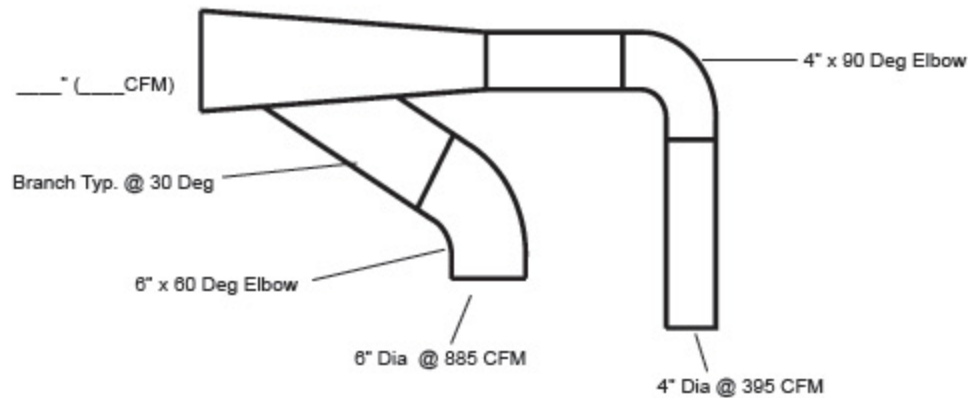
QUICK-FIT

THE WORLD'S FASTEST DUCTING

BRANCH STYLES

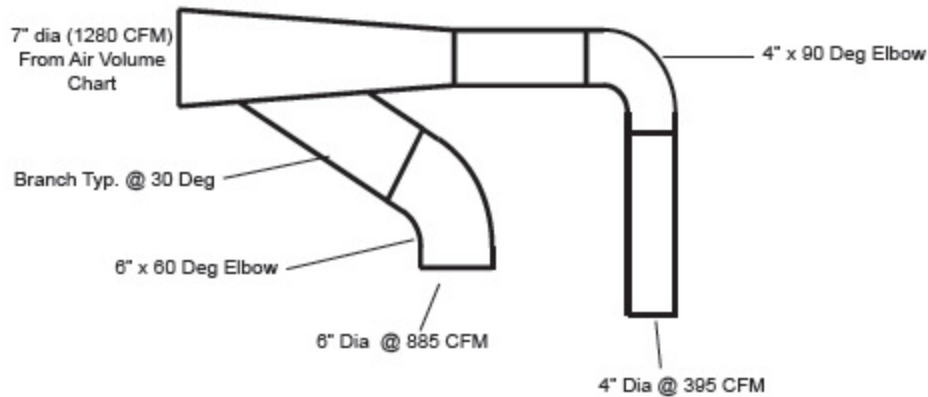


SIZING BRANCHES



The chart will also allow you to determine the transitions and branches needed
EXAMPLE: Always work from your machines back toward the filter, suppose that you have a 4" drop that rises and runs back to join with a 6" drop as sketched above. What size branch will you need?

SOLUTION



The 4" pipe carries 395 CFM at 4500 FPM. (See Chart). The 6" pipe will need 885 CFM at the same velocity. (See Chart). Added together you have a total of (395+ 885) 1280 CFM coming together. Looking again at the chart under 4500 FPM, you find that 1280 CFM is not listed, but falls very close to the 1205 CFM listed for a 7" pipe. This indicates that the 4" joined to the 6" will require a 7" pipe to carry all of the material at the right velocity. The branch, therefore, will be 7" on the downstream end reducing down to a 4" with a 6" branching off of it. That is listed as a 7-6-4 branch.

All branches come off the duct at a 30 degree angle, so it is important to add a 60 degree elbow to complete a full 90 degree drop or turn. (See Diagram above) The "Q-F" catalog contains all pertinent data about the duct and sizes. With a few basic pieces of information, you should be well equipped to design a system. But, if you have any questions as to the design, please do not hesitate to call.