



QUICK-FIT



THE WORLD'S FASTEST DUCTING

**VIBRATION ISOLATOR
NO LOSS STACKHEAD**

VIBRATION ISOLATOR

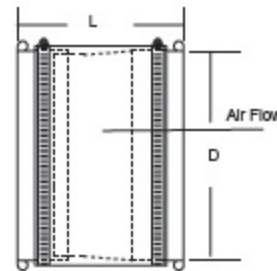
Ø	PART NO.	ENDS	LENGTH (L)	GAUGE	WEIGHT (GALV)
3"	3206-0300	QF	6.5	24	1.50
4"	3206-0400	QF	6.5	22	2.00
5"	3206-0500	QF	6.5	22	2.30
6"	3206-0600	QF	6.5	22	2.90
7"	3206-0700	QF	6.5	22	3.45
8"	3206-0800	QF	6.5	22	3.80
9"	3206-0900	QF	6.5	22	4.20
10"	3206-1000	QF	6.5	22	4.80
11"	3206-1100	QF	6.5	22	5.10
12"	3206-1200	QF	6.5	22	5.60
13"	3206-1300	QF	6.5	20	6.00
14"	3206-1400	QF	6.5	20	7.60
15"	3206-1500	QF	6.5	20	7.10
16"	3206-1600	QF	6.5	20	8.60
17"	3206-1700	QF	6.5	20	9.35
18"	3206-1800	QF	6.5	20	10.15
20"	3206-2000	QF	6.5	20	12.40
22"	3206-2200	QF	6.5	20	14.90
24"	3206-2400	QF	7.0	20	17.60
26"	3206-2600	FLANGE	7.0	18	49.28
28"	3206-2800	FLANGE	7.0	18	59.00
30"	3206-3000	FLANGE	7.0	18	63.43
32"	3206-3200	FLANGE	8.0	18	71.90
34"	3206-3400	FLANGE	8.0	18	79.40
36"	3206-3600	FLANGE	8.0	18	88.50
38"	3206-3800	FLANGE	8.0	18	76.20
40"	3206-4000	FLANGE	8.0	18	110.40

Vibration Isolator



PART NO. 3206

- Reduces vibration from the fan to the ducting system.



NO-LOSS STACKHEAD

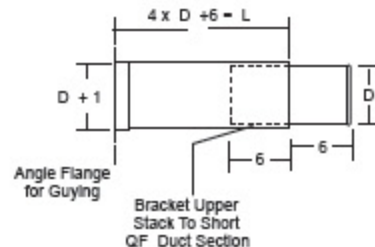
Ø	PART NO.	ENDS	GAUGE	WEIGHT (GALV)
3"	3204-0300	QF	24	4.00
4"	3204-0400	QF	22	6.50
5"	3204-0500	QF	22	8.00
6"	3204-0600	QF	22	10.00
7"	3204-0700	QF	22	14.00
8"	3204-0800	QF	22	23.08
9"	3204-0900	QF	22	32.00
10"	3204-1000	QF	22	36.00
11"	3204-1100	QF	22	39.00
12"	3204-1200	QF	22	42.00
13"	3204-1300	QF	22	45.00
14"	3204-1400	QF	22	50.00
15"	3204-1500	QF	20	56.00
16"	3204-1600	QF	20	60.00
17"	3204-1700	QF	20	64.00
18"	3204-1800	QF	20	69.75
20"	3204-2000	QF	20	79.16
22"	3204-2200	QF	20	84.00
24"	3204-2400	QF	20	98.56
26"	3204-2600	FLANGE	20	118.00
28"	3204-2800	FLANGE	20	132.05
30"	3204-3000	FLANGE	18	143.90
32"	3204-3200	FLANGE	18	152.83
34"	3204-3400	FLANGE	18	160.76
36"	3204-3600	FLANGE	18	170.81
38"	3204-3800	FLANGE	18	179.81
40"	3204-4000	FLANGE	18	193.25

No-Loss Stackhead



PART NO. 3204

- Used when exhausting from fans or stacks through roof.
- Eliminates back pressure on fan while providing weather protection.
- Flange for guide wire attachment.



ORDERING NOTES:

Unless specified, 3" through 24" is QF, over 24" is flanged. Data is subject to change without notice. Stainless steel components requiring flanges will be supplied with SS flanges unless otherwise specified. Stainless steel components are manufactured with NO.304 SS. [Prices for SS 316 = SS 304 X 1.25] Adding a SS after standard part numbers specifies a SS part. For special parts or items to be custom manufactured call for quotation.

WWW.DUCTMONKEY.NET • 951-739-9593

NO-LOSS STACK-HEAD INLINE SILENCER



NO-LOSS STACK-HEAD

DESCRIPTION:

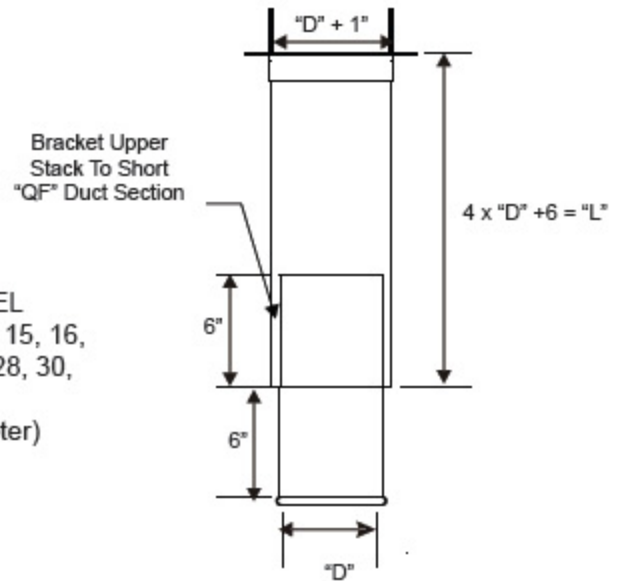
Used when exhausting from fans or stacks through the roof.

AVAILABILITY:

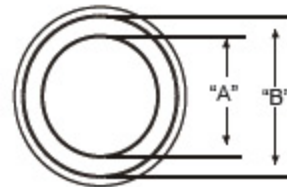
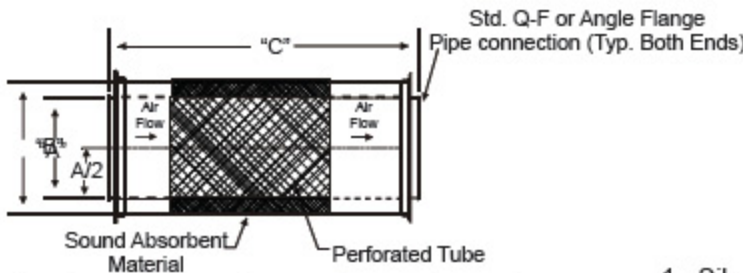
Material: GALVANIZED or STAINLESS STEEL
 Sizes in inch: 3, 4, 5, 6, 7, 8, 9, 10, 11, 12, 13, 14, 15, 16, 17, 18, 19, 20, 21, 22, 23, 24, 26, 28, 30, 32, 34, 36, 38, 40
 Part numbers: 3204-XX00 (where XX is the diameter)

APPLICATIONS:

Eliminates back pressure on the fan while providing weather protection.



INLINE SILENCER



Ø	PART NO.	ENDS	LENGTH (L)	GAUGE HOUSING	WEIGHT (GALV)
3"	3106-0300	QF	28"	16	10.00
4"	3106-0400	QF	28"	16	21.00
5"	3106-0500	QF	28"	16	35.00
6"	3106-0600	QF	30"	16	43.00
7"	3106-0700	QF	30"	16	54.00
8"	3106-0800	QF	35"	16	65.00
9"	3106-0900	QF	40"	16	76.00
10"	3106-1000	QF	48"	16	89.00
12"	3106-1200	QF	54"	16	104.00
14"	3106-1400	QF	60"	16	122.00
16"	3106-1600	QF	64"	16	176.00
18"	3106-1800	QF	68"	16	225.00
20"	3106-2000	QF	72"	16	265.00
22"	3106-2200	QF	76"	16	310.00
24"	3106-2400	QF	78"	16	406.00
26"	3106-2600	FLANGE	78"	16	546.00
28"	3106-2800	FLANGE	78"	16	600.00
30"	3106-3000	FLANGE	78"	16	678.00
32"	3106-3200	FLANGE	78"	16	700.00
34"	3106-3400	FLANGE	78"	16	770.00
36"	3106-3600	FLANGE	78"	16	897.00
38"	3106-3800	FLANGE	78"	16	974.00
40"	3106-4000	FLANGE	78"	16	1,118.00

1. Silencer to be placed in process line down stream of fan or cyclone collector.
2. Silencer housing constructed of 16 gauge galvanized metal.
3. Silencer should be properly supported in process line.
4. NORDFAB reserves the right to modify the design of the silencer without notice.
5. Efficiencies of Silencer have not been tested, nor are there any guarantees of sound level attenuation.
6. Silencer made in two sections for 16" & larger diameters.