



QUICK-FIT



THE WORLD'S FASTEST DUCTING

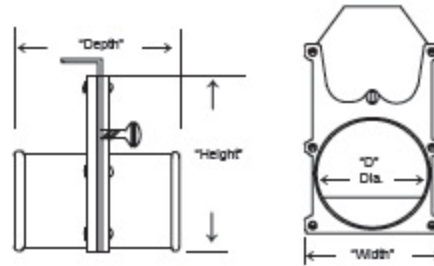
BLAST GATE MANUAL

Ø	PART NO.	ENDS	WIDTH	HEIGHT	DEPTH	WEIGHT (GALV)
3"	3240-0300	QF	4.25	7.00	5.25	1.50
4"	3240-0400	QF	5.25	7.00	5.50	2.25
5"	3240-0500	QF	6.12	6.25	5.75	3.00
6"	3240-0600	QF	7.00	10.00	5.75	3.75
7"	3240-0700	QF	8.00	11.12	5.375	4.50
8"	3240-0800	QF	9.37	12.00	5.50	5.50
9"	3240-0900	QF	11.00	13.25	5.50	7.00
10"	3240-1000	QF	11.37	14.37	5.50	7.50
11"	3240-1100	QF	11.37	14.37	5.50	9.50
12"	3240-1200	QF	13.50	16.25	5.25	13.00
14"	3240-1400	QF	15.75	17.87	5.25	16.00
16"	3240-1600	QF	18.00	28.50	11.75	21.20
18"	3240-1800	QF	20.80	32.75	11.75	25.00
20"	3240-2000	QF	22.25	34.00	11.75	30.00
22"	3240-2200	QF	24.25	33.50	11.75	34.00
24"	3240-2400	QF	26.25	33.50	11.75	38.00
26"	3240-2600	FLANGE	CALL	CALL	CALL	62.00
28"	3240-2800	FLANGE	CALL	CALL	CALL	72.00
30"	3240-3000	FLANGE	CALL	CALL	CALL	97.00

Blast Gate Manual



- Manually operated, cast aluminum body with standard QF connection unless otherwise specified.
- Other sizes available upon request.



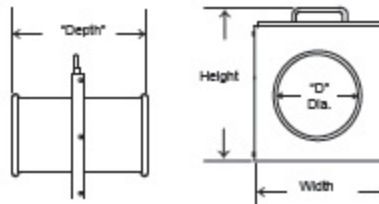
BLAST GATE NFMES MANUAL

Ø	PART NO.	ENDS	WIDTH	HEIGHT	DEPTH	WEIGHT (GALV)
3"	3241-0300	QF	5.25	7.00	5.375	N/A
4"	3241-0400	QF	6.12	6.25	5.375	2.70
5"	3241-0500	QF	7.00	10.00	5.00	3.30
6"	3241-0600	QF	8.00	11.12	5.00	5.90
7"	3241-0700	QF	9.37	12.00	5.00	6.00
8"	3241-0800	QF	11.00	13.25	7.00	6.75
9"	3241-0900	QF	11.37	14.37	5.00	7.50
10"	3241-1000	QF	13.50	16.25	5.00	9.12
12"	3241-1200	QF	15.75	17.87	7.00	13.00
14"	3241-1400	QF	18.00	28.50	7.00	18.25
16"	3241-1600	QF	18.00	28.50	7.00	21.50

Blast Gate NFMES Manual



- Manually operated, energy saving blast gates. These compact and easy to operate gates are constructed of galvanized metal with a special sealing device that reduces air loss and friction in operation.
- Other sizes available upon request.



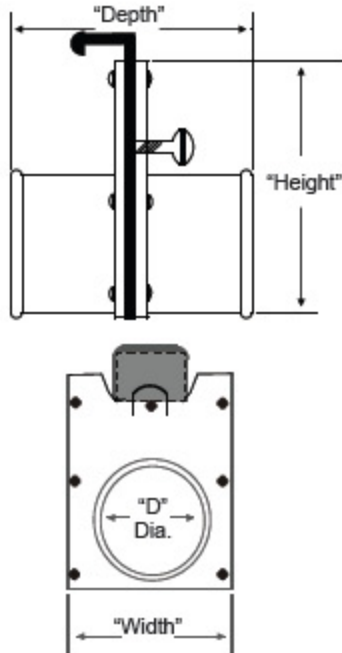
ORDERING NOTES:

Unless specified, 3" through 24" is QF, over 24" is flanged. Data is subject to change without notice. Stainless steel components requiring flanges will be supplied with SS flanges unless otherwise specified. Stainless steel components are manufactured with NO.304 SS. [Prices for SS 316 = SS 304 X 1.25] Adding a SS after standard part numbers specifies a SS part. For special parts or items to be custom manufactured call for quotation.

WWW.DUCTMONKEY.NET • 951-739-9593

**BLAST GATE (MANUAL)
BLAST GATE (ENERGY SAVING)**

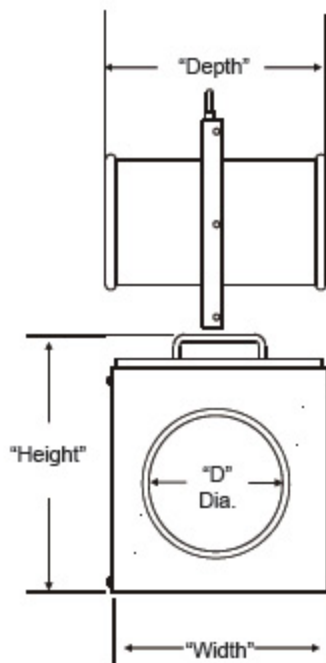
MANUAL BLAST GATE



DIA. (D) INCHES	PART NO.	WIDTH	HEIGHT	DEPTH	COLLAR HEIGHT	WT LBS.
4"	3240-04	5.25	7.00	5.750	2.650	2.0
5"	3240-05	6.12	6.25	5.750	2.550	3.0
6"	3240-06	7.00	10.00	5.750	2.500	3.5
7"	3240-07	8.00	11.12	5.375	2.375	4.5
8"	3240-08	9.37	12.00	5.375	2.375	5.5
9"	3240-09	11.00	13.25	5.500	2.370	7.0
10"	3240-10	11.37	14.37	5.500	2.370	8.0
11"	3240-11	13.50	16.25	5.000	2.250	12.0
12"	3240-12	13.50	16.25	5.000	2.250	12.0
14"	3240-14	15.75	17.87	5.000	2.250	16.0
16"	3240-16	18.00	28.50	11.000	2.250	20.0
18"	3240-18	20.80	32.75	11.000	5.250	37.0
20"	3240-20	22.25	34.00	11.000	5.125	45.0
22"	3240-22	24.25	33.50	11.000	5.125	48.0
24"	-	-	-	-	-	CALL

Manually operated, cast aluminum body with standard QF connection unless otherwise specified.

ENERGY SAVING BLAST GATE



DIA. (D) INCHES	PART NO.	WIDTH	HEIGHT	DEPTH	COLLAR HEIGHT	WT LBS.
4"	3241-04	5.25	7.00	5.75	2.65	2.0
5"	3241-05	6.12	6.25	5.75	2.55	3.0
6"	3241-06	7.00	10.00	5.75	2.50	3.5
7"	3241-07	8.00	1.12	5.375	2.375	4.5
8"	3241-08	9.37	12.00	5.375	2.375	5.5
9"	3241-09	11.00	13.25	5.50	2.37	7.0
10"	3241-10	11.37	14.37	5.50	2.37	8.0
12"	3241-12	13.50	16.25	5.00	2.25	12.0
14"	3241-14	15.75	17.87	5.00	2.25	16.0
16"	3241-16	18.00	28.50	11.00	5.25	20.0

Manually operated, energy saving blast gates. These compact and easy to operate gates are constructed of galvanized metal with a special sealing device that reduces air loss and friction in operation.