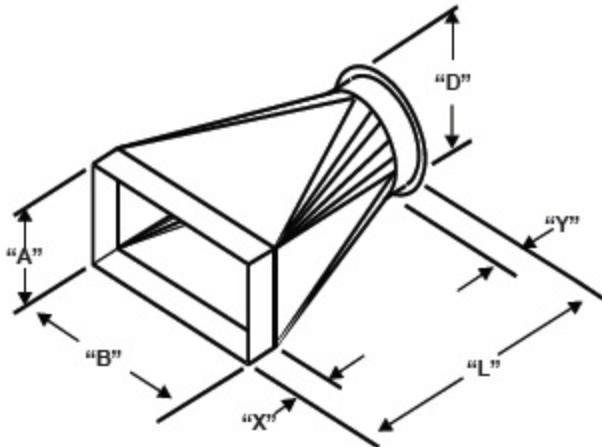
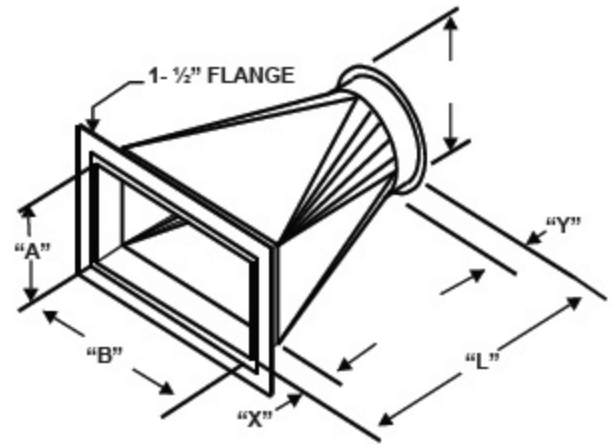


TRANSITION STYLES



STYLE #1



STYLE #2

Built to your specifications. Please list all required dimensions and details.

- Specify Rectangle End: Flanged Raw End I.D. Raw End O.D.
- Flange Type: Angle Bar Flat Bar Sheet Metal Plasma Cut
- Specify Round End: QF Flanged Hose Conn. Raw I.D. Or O.D.

NOTE: If no hole pattern is supplied for flanges, they will be supplied "Blank" to be field drilled.
 "L" = to the greater of B or D

| Item # | Qty. | "D" | "A" | "B" | "X" Std 2" | "Y" Std 2" | "L" | Gauge | Flange Material | Flg Dwg | Special Notes |
|--------|------|-----|-----|-----|------------|------------|-----|-------|-----------------|---------|---------------|
| | | | | | | | | | | | |
| | | | | | | | | | | | |
| | | | | | | | | | | | |
| | | | | | | | | | | | |
| | | | | | | | | | | | |
| | | | | | | | | | | | |
| | | | | | | | | | | | |
| | | | | | | | | | | | |
| | | | | | | | | | | | |
| | | | | | | | | | | | |