

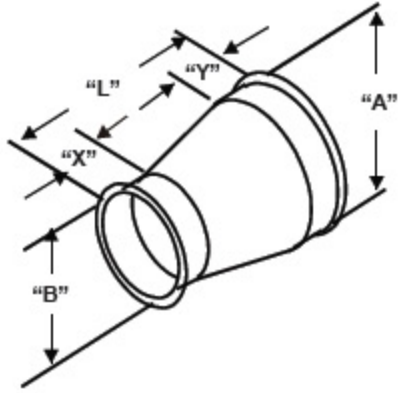


QUICK-FIT

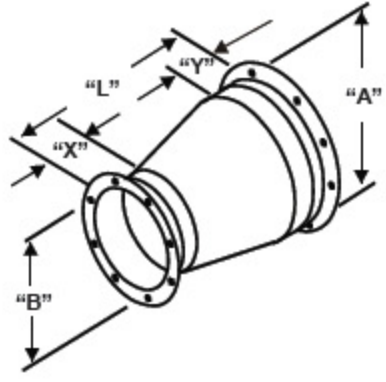
THE WORLD'S FASTEST DUCTING

REDUCER STYLES

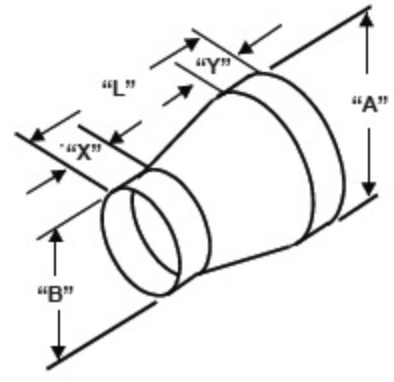
REDUCER STYLES



"Q-F STYLE"



"FLANGED STYLE"



"RAW END STYLE"

A) Reducers are produced by the following formula:

"QF" LENGTH = (A-B) + 6" [7" MIN]
 "FL" LENGTH = (A-B) + 8" [9" MIN]

B) Material gauges as follows:

DIA.	GALV. GAUGE	SS GAUGE
4" - 12"	22	22
14" - 22"	20	20
14" - 22"	18	18

NOTE: Any combination of the above style are available upon request. Please specify all the required dimensions and all reducer end configurations (Raw ID, Raw OD Style, QF Style, Flange Style, Etc.).

Item#	Qty	"A"	Style "Q-F" "Flange" "Raw"	"B"	Style "Q-F" "Flange" "Raw"	"L" (A-B+8)	"X" STD-2"	"Y" STD-2"	Part Gauge	Flange Material	Fig Dwg	Special Notes