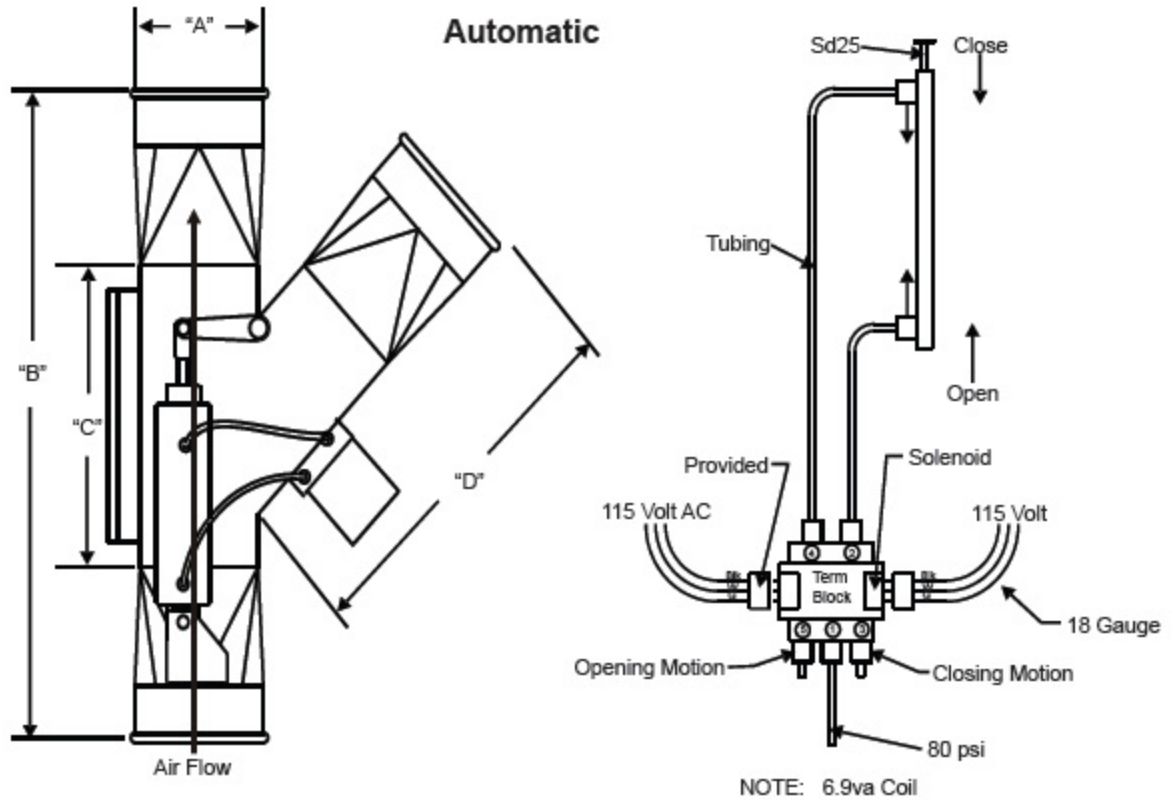


**NORDFAB**  
**QUICK-FIT**   
**THE WORLD'S FASTEST DUCTING**

**DIVERTER VALVE**



**DESCRIPTION:**

Highly efficient, economical method of diverting flow of material or air. Designed with Q-F or flanged, manual, or air operated.

**APPLICATIONS:**

Diverter valves are used for diverting the air to one of two possible directions at a time. Divert the flow of material or air.

**AVAILABILITY:**

Material: BLACK METAL or STAINLESS STEEL 3/16" thick  
 Sizes in inch: 3, 4, 5, 6, 7, 8, 9, 10, 11, 12, 13, 14, 15, 16, 17, 18, 20, 22, 24  
 Larger sizes available upon request.

Please NOTE: 45 lateral angle only

Part numbers: 3235-XX00 for manual (where XX is the diameter)  
 3236-XX00 for automatic, PLUS read "Special".

Special: Customer needs 120Volt and 75 psi minimum air pressure.  
 240, 24 and 12 volt AC as well as 24 and 12 volt DC models are available upon request.